



**Lustra™**  
Commercial Elongated Toilet Seat  
**K-4670-C**

**Features**

- Kohler plumbing products mean beautiful form as much as reliable function.
- Elongated, open-front toilet seat.
- Check hinge.

**Material**

- Made of solid polypropylene and is resistant to staining, fading, chipping and peeling.



**Codes/Standards**

IAPMO/ANSI Z124.5

**KOHLER® One-Year Limited  
Warranty**

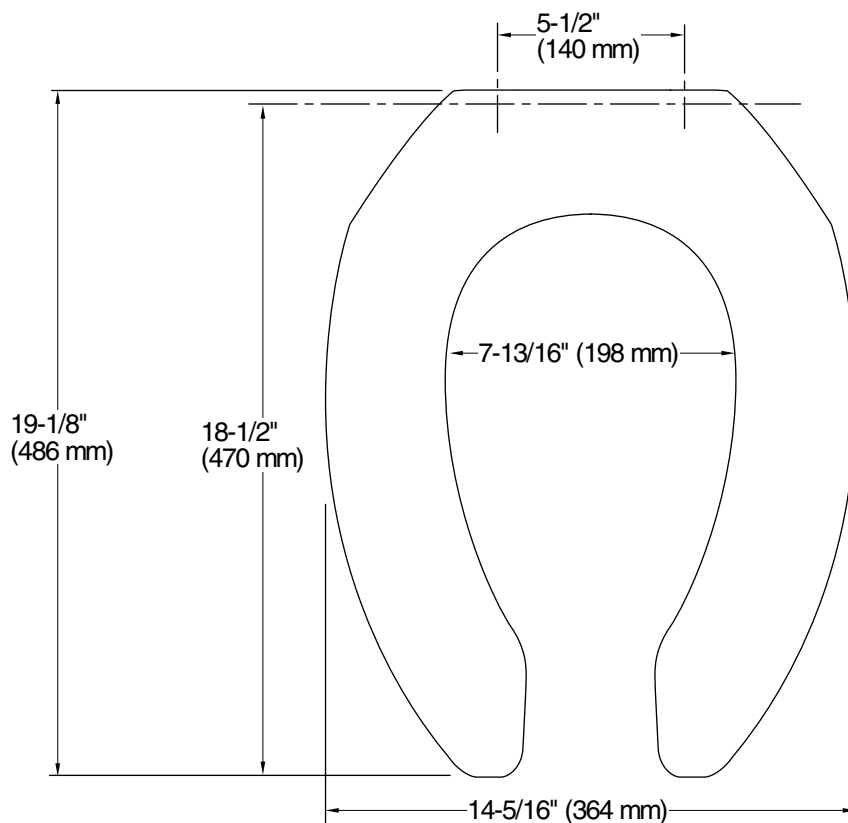
See website for detailed warranty information.

**Available Colors/Finishes**

*Color tiles intended for reference only.*

**Color Code Description**

	0	White
	47	Almond



### Technical Information

All product dimensions are nominal.

Seat shape type:	Elongated
Seat front type:	Open-front
Seat hinge type:	Check
Seat-mounting holes:	5-1/2" (140 mm)

### Notes

Install this product according to the installation guide.